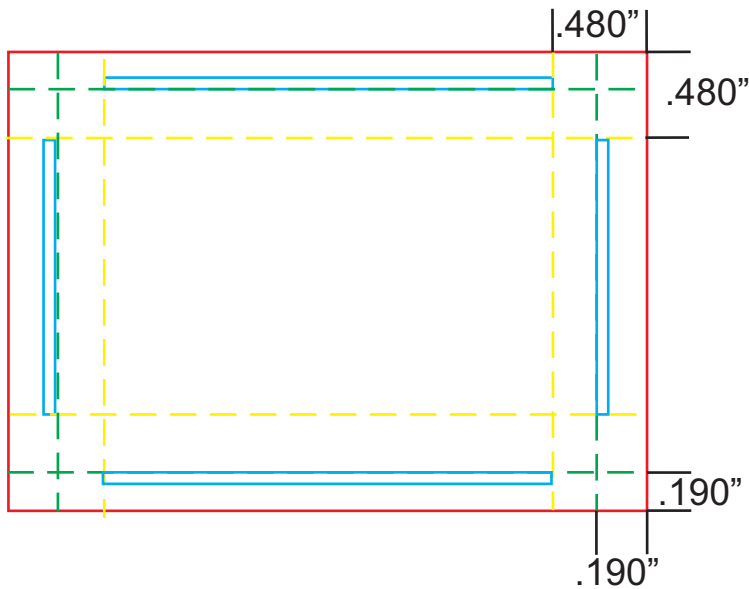


1-3/4" x 2-3/4" Button Tag line Layout



Red line is the 1-3/4" x 2-3/4"
Cut line 2.39" x 3.328"

Blue line(s) are the tag
line areas
Long: 2.366"x.060"
Short: 1.429"x.060"

Depending on the font you use, your font size can be from 5pt to 8pt. Adjust it as you wish to fit into the tag line area.

Note: For use with Tecre manual or electric button maker machine and 1-3/4" x 2-3/4" rectangle button making supplies.