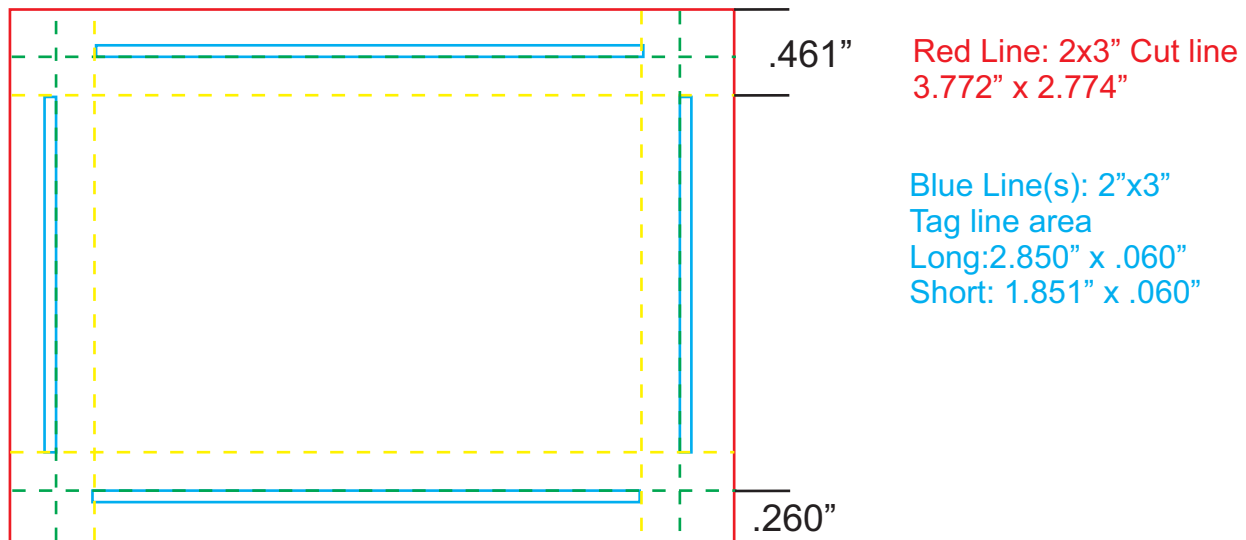


2" x 3" Button Tag Line Layout



Depending on the font you use, your font size can be from 5pt to 8pt. Adjust it as you wish to fit into the tag line area.

Note: For use with Tetre manual or electric button maker machine and 2" x 3" button making supplies.